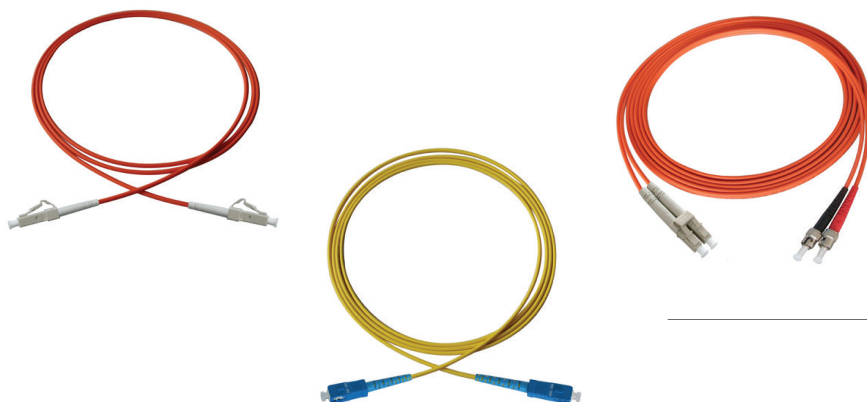


# OPTIC FIBER PATCH CORDS



D-Link offers standard simplex & duplex patch cords in a variety of connectors & cables configurations. D-Link Patch cords are available with full standard optical specifications, precise length tolerances. All assemblies are 100% inspected for optical characteristics and fiber end face finish.

The optical fiber patch cords are suitable for data communication, telecommunication applications. The terminated connectors in assemblies are designed to and are compatible with industry standards (EIA/TIA, IEC, ANSI, NTT and Telcordia). D-Link can deliver customized patch cords as per requirement

## FEATURES & BENEFITS

- Adopts high precision ceramic ferrule with good concentricity.
- Good geometry characteristics of apex offset & radius of curvature & fiber height.
- Compact & strong crimping offers exceptional tensile strength in cable assemblies.
- 100% inspected for optical characteristics & fiber end face finish.
- Low insertion loss & return loss, clean and scratch-free end faces.
- Good performance endurance under circumstances changing.

## SPECIFICATION

Connector Type		SC/ST/FC/LC/MTRJ	
Optical Fiber		Single-mode (OS2) G652D, G657A	Multi-mode OM1, OM2, OM3, OM4
Cable Type		PVC & LSZH on request, OFNR or OFNR LSZH with kevlar for the APC type	
		0.9mm/2.0mm/3.0mm Simplex & Duplex	
Cable Color, Length		Yellow for single mode, orange for multi-mode & aqua for OM3 1m, 2m and 3m. Other lengths on request.	
Optical Specification	Insertion Loss	Typical: $\leq 0.2$ dB, Max. 0.3dB (MTRJ); Max. 0.5dB)	Typical: $\leq 0.2$ dB, Max. 0.3dB (MTRJ); Max. 0.5dB)
	Return Loss	PC $\geq 45$ dB, UPC $\geq 50$ dB, APC $\geq 60$ dB	$\geq 30$ dB
Mechanical Specification	Ferrule	Ceramic, (MTRJ): PS-Polyphenylene Sulphide)	
	Apex Offset	< 50um	
	Fiber Height	$\pm 100$ nm	
	Radius of Curvature	7mm R < 25mm(Excluding MTRJ)	
	Repeatability	$\leq 0.2$ dB 1,000 times mating cycles	
Working Temperature		-40°C ~ +85°C	
Storage Temperature		-40°C ~ +85°C	

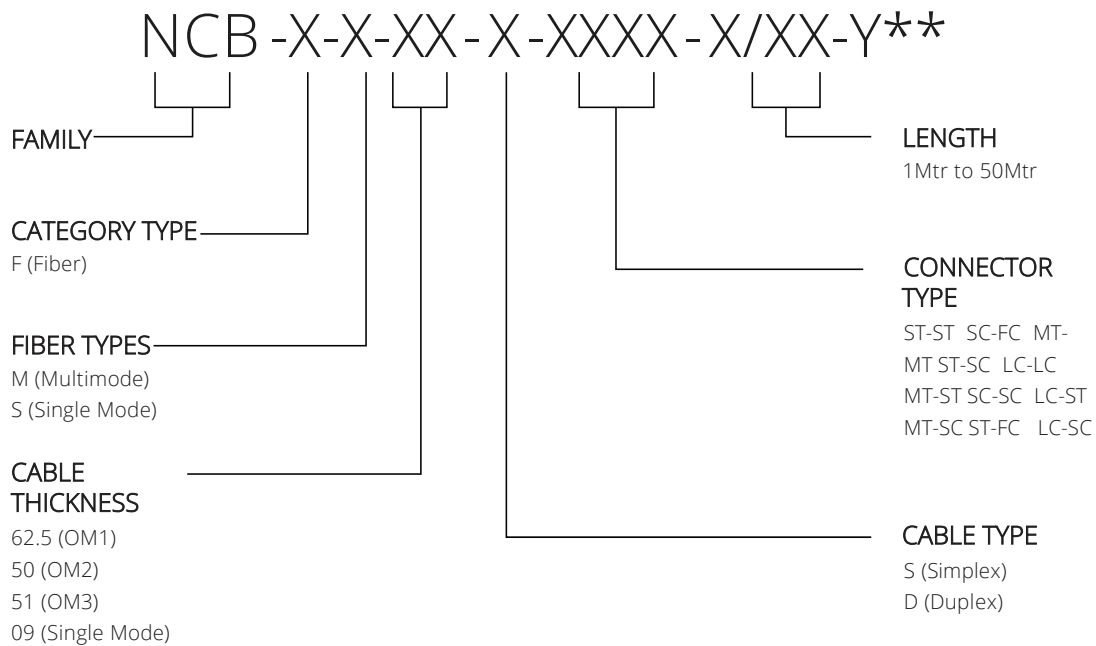


# OPTIC FIBER PIGTAILS

## ORDERING INFORMATION

TYPE-LENGTH**	SINGLE MODE (09μM)	MULTIMODE (OM2-50μM)	MULTIMODE (OM3-51μM)	MULTIMODE (OM4-51μM)
SIMPLEX-1M				
	NCB-FS09S-STST-1	NCB-FM50S-STST-1	NCB-FM51S-STST-1	
	NCB-FS09S-STSC-1	NCB-FM50S-STSC-1	NCB-FM51S-STSC-1	
	NCB-FS09S-SCSC-1	NCB-FM50S-SCSC-1	NCB-FM51S-SCSC-1	
	—	NCB-FM50S-MTST-1	NCB-FM51S-MTST-1	
	—	NCB-FM50S-MTSC-1	NCB-FM51S-MTSC-1	
	—	NCB-FM50S-MTMT-1	NCB-FM51S-MTMT-1	
	—	—	—	
	NCB-FS09S-LCSC-1	NCB-FM50S-LCSC-1	NCB-FM51S-LCSC-1	
	NCB-FS09S-LCLC-1	NCB-FM50S-LCLC-1	NCB-FM51S-LCLC-1	

## NOMENCLATURE FOR PATCH CORDS



\*\*Y indicates APC incase of APC connector patch cords

